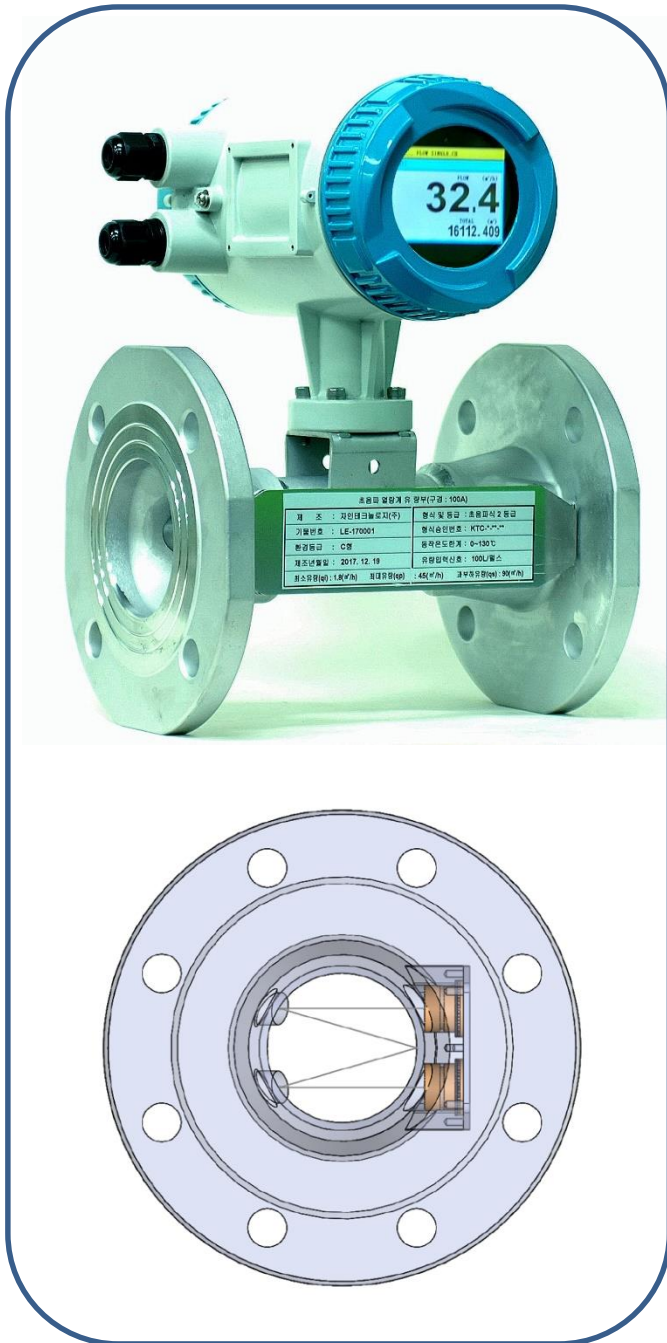


Energy Meter Xonic® 10LE

Xonic 10LE is insertion ultrasonic flowmeters with 1 path, 2 path, 3 paths spool type. It has no moving parts and fully digitalized with precise temperature sensors. Xonic 10LE can measure clean water, dirty water, chemicals, oil, alcohol, etc, so it can replace conventional flowmeters.



No Moving Parts

- No Turbine or Impeller
- No Gear Box
- No Magnetic Parts

Stainless Steel Body

- No Corrosiveness
- No Rust

Fully Digitalized Water Meter

- Ultrasonic Transit-Time Method
- Bi-Direction Flow
- Empty Alarm
- BTU Flow & Total
- Volume Flow & Total
- RS-232C/485 Modbus
- Pulse Output
- 4-20mA Analog Output
- Same Size with Turbine

Application

- District Heating
- Flow Monitoring Flowmeter
- Flowmeters for
 - Chemical
 - Semiconductor
 - Ship Manufacturing
 - Oil Refinery
 - Irrigation

Ultrasonic Water Meter Xonic® 5L



Specifications

Measuring Method
 Ultrasonic Transit-Time
 1~3 Pair Insertion Transducers
Accuracy : 0.5% RD
Measuring Range
 0.05~10 m/s (flow velocity)
 -40 ~ +150 °C (temperature)
Sensitivity : 0.001 m/s
Temperature Sensor : PT500
Output :
 RS-232C/485, 4-20mA, Relay
Display
 Flow & Total
 BTU Flow & Total
 Graphic Mode (diagnostic)
 - signal shape, strength, etc
Operating Temperature
 -20 ~ +60°C for Electronics
 -40 ~ +120°C for Transducers
 -100 ~ +150°C for Temperature
Datalogger : 32Mbytes
Protection
 IP68 for Spool
 IP65 for Electronics
Spool Material
 Stainless Steel 304

Flow Range

NO	size	start flow (q0)	min flow (qi) 50:1	max flow (qp)	over flow (qs)
1	20mm	0.015	0.03	1.5	3
2	25mm	0.07	0.14	7	14
3	40mm	0.1	0.2	10	20
4	50mm	0.15	0.3	15	30
5	65mm	0.25	0.5	25	50
6	80mm	0.45	0.9	45	90
7	100mm	0.7	1.4	70	140
8	125mm	1	2	100	200
9	150mm	1.5	3	150	300
10	200mm	2.5	5	250	500
11	250mm	5	10	500	1000



Xonic 5L
Ultrasonic Water Meter